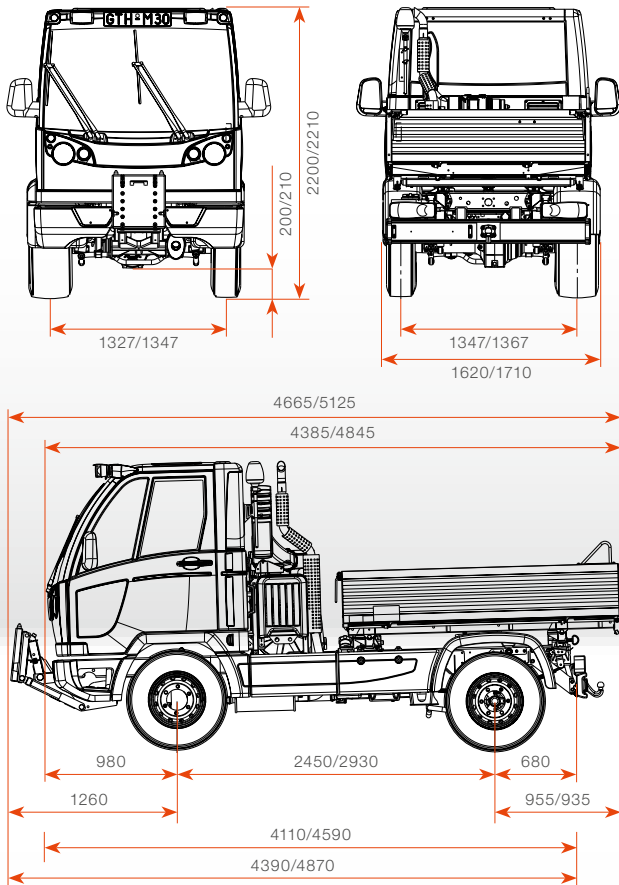


Technical data

	FUMO Tipper	FUMO Body	FUMO Carrier	FUMO Carrier H
Engine and transmission				
Engine	IVECO F 1 C turbo diesel			
Capacity	2,998 cm ³			
Power output	107 kW (145 Hp) at 3,500 rpm			90 kW (122 Hp) at 3.000 rpm
Max. torque	320 Nm at 1,400 rpm			310 Nm at 1,400 rpm
Pollutant emissions	Compliant with Euro 5 and EEV with particle filter in closed system			
Transmission	5 forward gears and 1 reverse gear; with all-wheel drive incl. crawling gear: 10 forward and 2 reverse gears			2-stage hydrostat
Handling characteristics				
Speed range Cl. N2	0–90 km/h			0–70 km/h
Speed range Cl. N1	0–110 km/h			0–70 km/h
Hydraulic drive mode	-			0–70 km/h
Hydraulic working mode	-			0–34 km/h
Crawling gear 1	0.6–16.5 km/h			0–40 km/h
Crawling gear 2	-			0–17 km/h
Chassis	Twistable profile frame of steel			
Wheelbase	2,450 mm (short), alternatively 2,930 mm (long)			
Axles/Suspension, front	Independent suspension with helical springs			
Axles/Suspension, rear	Rigid axle with progressive leaf spring			
Tyres	225/75 R 16 C (series production), other tyres available as special optional equipment			
Driver's cab	Tilting space-frame cab			
Drive and control unit				
Drive	4x2 drive, selectable 4x4-all-wheel drive option		selectable 4x4 all-wheel drive (series production)	
Clutch	Hydraulically actuated, asbestos-free			
Steering	Power-assisted steering (hydro steering)			
Tank volume	80 litres			
Brakes	4-wheel disc brakes (ventilated disc) with 4-channel ABS			



You can count on Multicar at all times

We provide expert advice prior to purchase and excellent financing and leasing options. After purchasing the high quality product, we provide experienced after-sales service 24 hours a day and are close by!

	FUMO Tipper	FUMO Body	FUMO Carrier	FUMO Carrier H
Load values				
Permissible total weight	Up to 5.3 t (manual transmission)			To 5.4 t (at 70 km/h)
Permissible front axle load	2.4 t			
Permissible rear axle load	Up to 3.3 t			
Load capacity with 4x2 drive*	Up to 2.7 t (short wheelbase) Up to 2.4 t (long wheelbase)	Equipment and model dependent	-	-
Load capacity with 4x4 drive*	Up to 2.6 t (short wheelbase) Up to 2.4 t (long wheelbase)	Equipment and model dependent	Equipment and model dependent	Up to 2.45 t
Permissible trailer load	3.5 t (braked)			
Gross towing capacity	7.5 t			
Hydraulics				
Electrical tipping hydraulics	Max. 5 l/min Max. working pressure 150 bar	-	-	-
1-circuit hydraulics	-	Max. 45 l/min Max. working pressure 200 bar	-	-
3-circuit universal hydraulics	-	-	Max. 80 l/min, Max. working pressure 200 bar	Max. 80 l/min, Max. working pressure 200 bar
3-circuit high pressure comfort hydraulics	-	-	Max. 80 l/min, Max. working pressure 300/200 bar	Max. 80 l/min, Max. working pressure 300/200 bar
Option summation circuit	-	-	-	Max. 110 l/min, Max. working pressure 300 bar

*Additional equipment reduces load capacity